

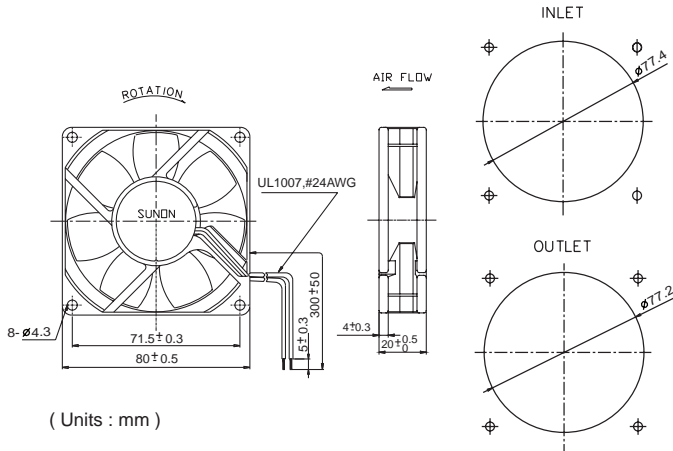
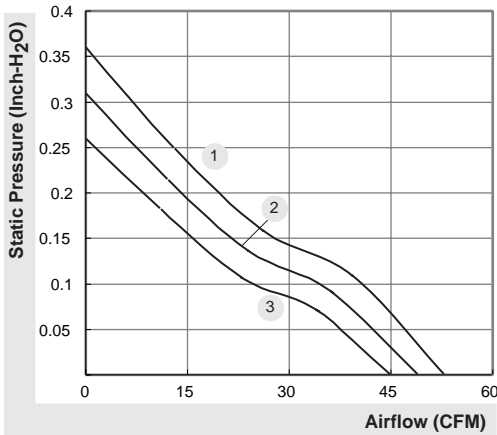
80x80x20 mm

45~53 CFM



MAGLeV by SUNON	P/N	Bearing	Rating Voltage (VDC)	Power Current (AMP)	Power Consumption (WATTS)	Speed (RPM)	Air Flow (CFM)	Static Pressure (Inch-H ₂ O)	Noise (dBA)	Weight (g)	Curve
PMD1208PKV1-A	GN	●	12	0.39	4.7	4600	53	0.36	48	85	1
PMD1208PKV2-A	GN	●	12	0.31	3.7	4200	49	0.31	45	85	2
PMD1208PKV3-A	GN	●	12	0.26	3.1	3900	45	0.26	43	85	3
PMD2408PKV1-A	GN	●	24	0.21	5.0	4600	53	0.36	48	85	1
PMD2408PKV2-A	GN	●	24	0.17	4.1	4200	49	0.31	45	85	2
PMD2408PKV3-A	GN	●	24	0.14	3.4	3900	45	0.26	43	85	3

Model	P/N	2BALL Sleeve	(VDC)	(AMP)	(WATTS)	(RPM)	(CFM)	(Inch-H ₂ O)	(dBA)	(g)	Curve
PMD1208PKB1-A	(2).GN	⊙	12	0.39	4.7	4600	53	0.36	49	85	1
PMD1208PKB2-A	(2).GN	⊙	12	0.31	3.7	4200	49	0.31	46	85	2
PMD1208PKB3-A	(2).GN	⊙	12	0.26	3.1	3900	45	0.26	44	85	3
PMD2408PKB1-A	(2).GN	⊙	24	0.21	5.0	4600	53	0.36	49	85	1
PMD2408PKB2-A	(2).GN	⊙	24	0.17	4.1	4200	49	0.31	46	85	2
PMD2408PKB3-A	(2).GN	⊙	24	0.14	3.4	3900	45	0.26	44	85	3



*All model could be customized. Please contact with Sunon Sales.

*Specifications subject to change without notice. Please Visit SUNON web site at <http://www.sunon.com> for update information.